




Short description



- Aluminium-alloy IP65 single point load cell.
- Colourless anodized
- Suitable for single and double load cell structured platform scales.
- Maximum platform size:
for 50kg-200kg: 600 x 600 mm
for 250kg-635kg: 600 x 800 mm

 test certificate no. D09-06.12 Revision 0
C of C no R60/2000-CN1-06.03

 Certificate no. 12-006

Available models

Capacity	Accuracy	Full article description
50kg	C3	L6W-C3-50kg-3G6
75kg	C3	L6W-C3-75kg-3G6
100kg	C3	L6W-C3-100kg-3G6
150kg	C3	L6W-C3-150kg-3G6
200kg	C3	L6W-C3-200kg-3G6
250kg	C3	L6W-C3-250kg-3G6
300kg	C3	L6W-C3-300kg-3G6
500kg	C3	L6W-C3-500kg-3G6
635kg	C3	L6W-C3-635kg-3G6

Specifications and dimensions are subject to change without notice and do not constitute any liability whatsoever.

Detailed specifications L6W

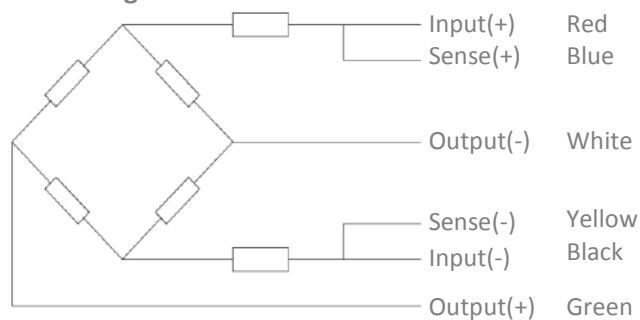
Accuracy class		OIML R60 C3	
Output sensitivity (= FS)	mV/V	2.0 ± 0.2	
Maximum capacity (E _{max})	kg	50, 75, 100, 150, 200, 250, 300	500, 635
Max.number of load cell intervals	n _{LC}	3000	
Ratio of min. LC verification interval	Y = E _{max} / v _{min}	7000	10000
Combined Error	%FS	≤± 0.0230	
Minimum dead load	Of E _{max}	0%	
Safe overload	of E _{max}	150 %	
Ultimate overload	of E _{max}	300 %	
Zero balance	of FS	< ± 1.0 %	
Excitation, recommended voltage	V	5 ~ 12	
Excitation maximum	V	18	
Input resistance	Ω	406 ± 6	
Output resistance	Ω	350 ± 3	
Insulation resistance	MΩ	≥5000 (at 50VDC)	
Compensated temperature	°C	-10 ~ +40	
Operating temperature	°C	-35 ~ +65	
Storage temperature	°C	-40 ~ +70	
Element material		Aluminium	
Ingress Protection (acc. to EN 60529)		IP65	
Recommended torque on fixation	Nm	M8: 25	

Wiring

Wiring:

Shielded, 6 conductor cable.
 Cable diameter: Ø4.7mm.
 Standard cable length: 3m.
 Shield connected to element.
 Cable jacket in PU.

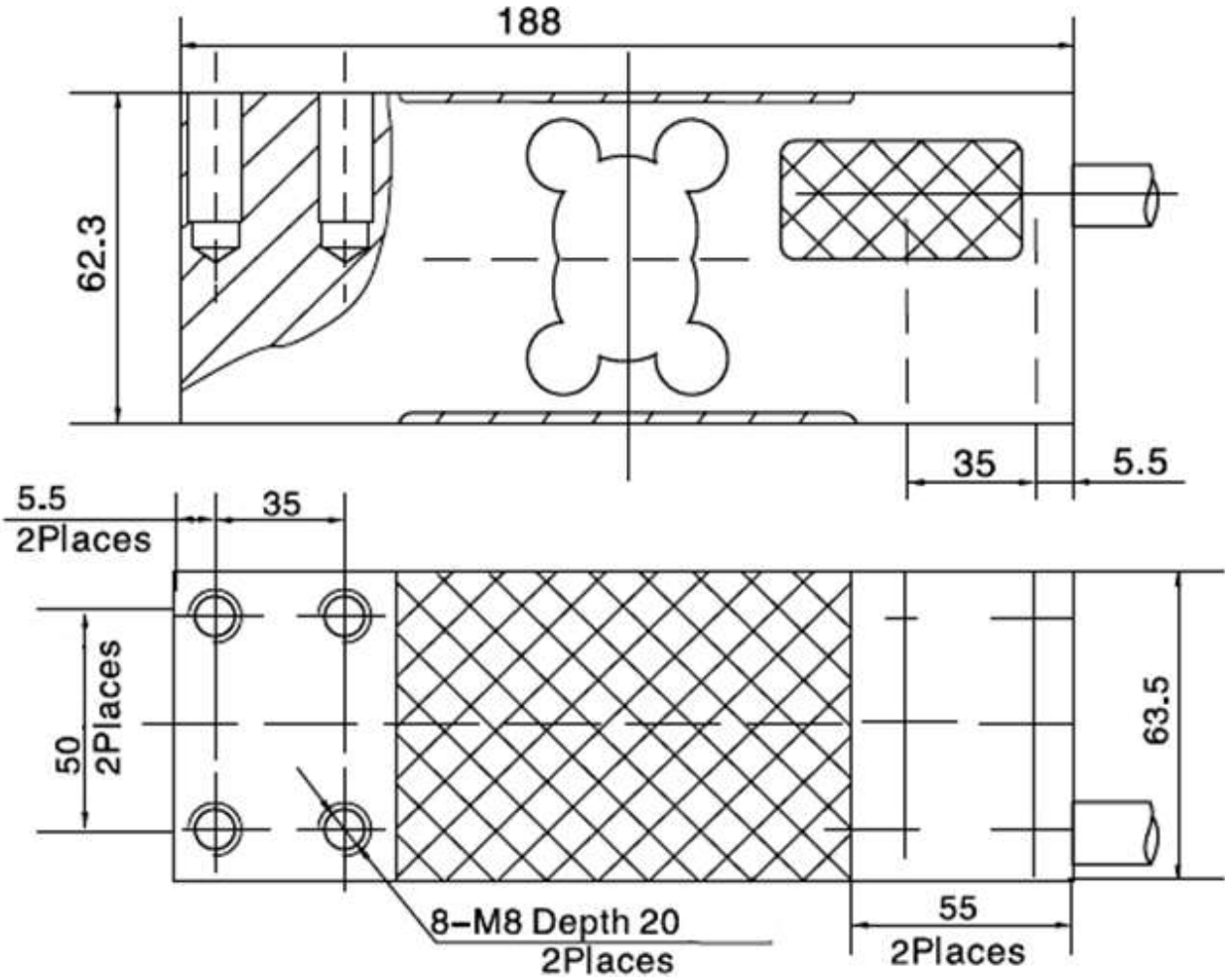
6-wire diagram



Specifications and dimensions are subject to change without notice and do not constitute any liability whatsoever.

Type L6W Load Cell

Dimensions in mm



Specifications and dimensions are subject to change without notice and do not constitute any liability whatsoever.