

Features

- Capacities: 50k lbs and 100k lbs
- Environmental protection: IP68 (DIN 40.050)
- Material: Stainless steel
- Hermetically sealed

Optional:

- FM approved for use in potentially explosive atmospheres

Applications

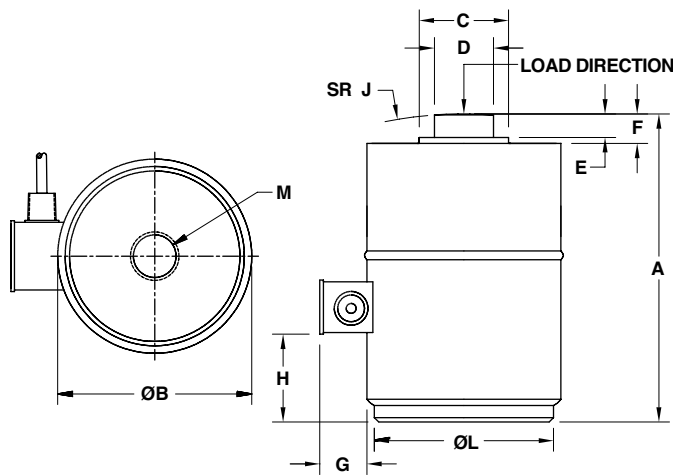
- Silo, tanks and hoppers
- Suspended silos, tanks and hoppers
- Railroad scales
- Weighbridges

Description

The 92 canister is designed for compression applications. Its stainless steel construction combined with hermetically sealing allows the 92 to be used in harsh environments. A large range of capacities is available. Hermetic sealing offers excellent protection from moisture and provides long-term stability and reliability.



Outline Dimensions (in inches)



Cable Specifications

- Cable length: 12.2m (40 ft)
 - Excitation + Red
 - Excitation - Black
 - Output + Green
 - Output - White
 - Shield Transparent
- Cable screen is not connected to the load cell body.

Capacity	50k	100k
A	6.00	8.50
B	4.25	5.03
C	1.63	2.45
D	1.50	1.75
E	0.10	0.10
F	0.50	0.63
G	1.18	1.25
H	1.49	2.90
M UNF deep	3/4-16 0.56	3/4-16 0.56
J	6.00	12.00

Specifications

Parameter	Value		Unit
	Imperial		
Capacities	50k, 100k		lbs
Accuracy Class	Non-Approved		
Rated Output (=S)	Model 92: 2 ± 0.002	Model 93: 3 ± 0.003	mV/V
Zero balance	1.0		±% FSO
Combined error	0.0500		±% FSO
Combined error (20 minutes)	0.0300		±% applied load
Temperature effect on zero	0.0900 (0.0010)		±% FSO / 5°C (°F)
Temperature effect on output	0.0135 (0.0015)		±% applied load / 5°C (°F)
Compensated temperature range	-10 to +40 (+14 to +104)		°C (°F)
Operating temperature range	-53 to +93 (-65 to +200)		°C (°F)
Safe load limit	150		% Emax
Ultimate load	200		% Emax
Safe side load limit	10		% Emax
Excitation voltage recommended	10		V
Excitation voltage maximum	15		V
Input resistance	350±3.5		Ω
Output resistance	350±3.5		Ω
Insulation resistance at 50VDC	≥5000		MΩ
Environmental protection	IP68		
Element material	Stainless Steel		

FSO - Full Scale Output

Mounting:

Correct mounting of the load cells is essential to ensure optimum accuracy and performance.

Further information is available upon request.

All specifications are subject to change without notice.